

*Two Speed  
Motors*

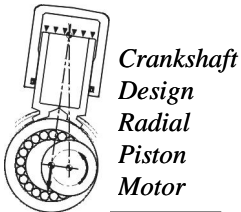
*Variable  
Displacement  
Motors*

*High Speed  
Motors*

*Planetary  
Gearboxes*

*Wheel Drives*

**Power  
Through  
Efficiency**



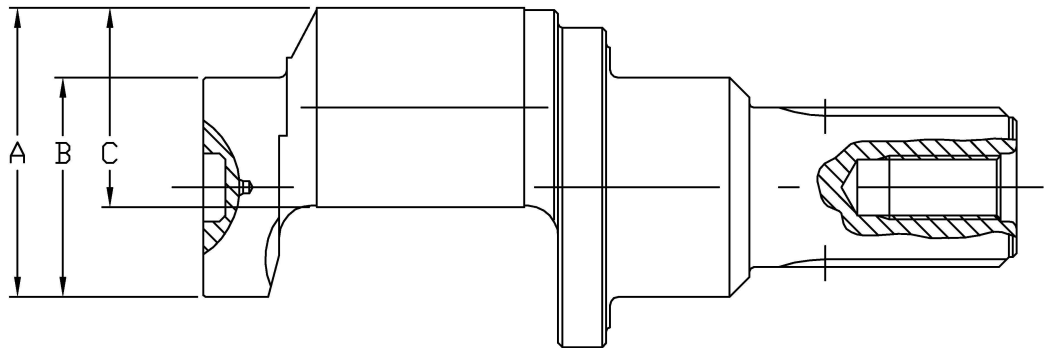
3905 W. 9<sup>th</sup> Street  
Trainer, PA 19061

Phone: 610-497-0190  
Fax: 610-497-0194

[www.saihyd.com](http://www.saihyd.com)  
[info@saihyd.com](mailto:info@saihyd.com)

## Motor Identification Sheets

Please provide the following information to SAI to help identify the type of motor you are repairing.



TO FIND STROKE:

1. DIVIDE DIMENSION "B" by 2.  
*(Dimension "B" is measured under the bearing race).*
2. DIVIDE DIMENSION "C" by 2.  
*(Dimension "C" is measured under the rollers).*
3. ADD THOSE VALUES AND SUBTRACT THE TOTAL FROM DIMENSION "A".  
*(Dimension "A" is measured under the bearing race and under the rollers).*
4. MULTIPLY THAT VALUE by 2.

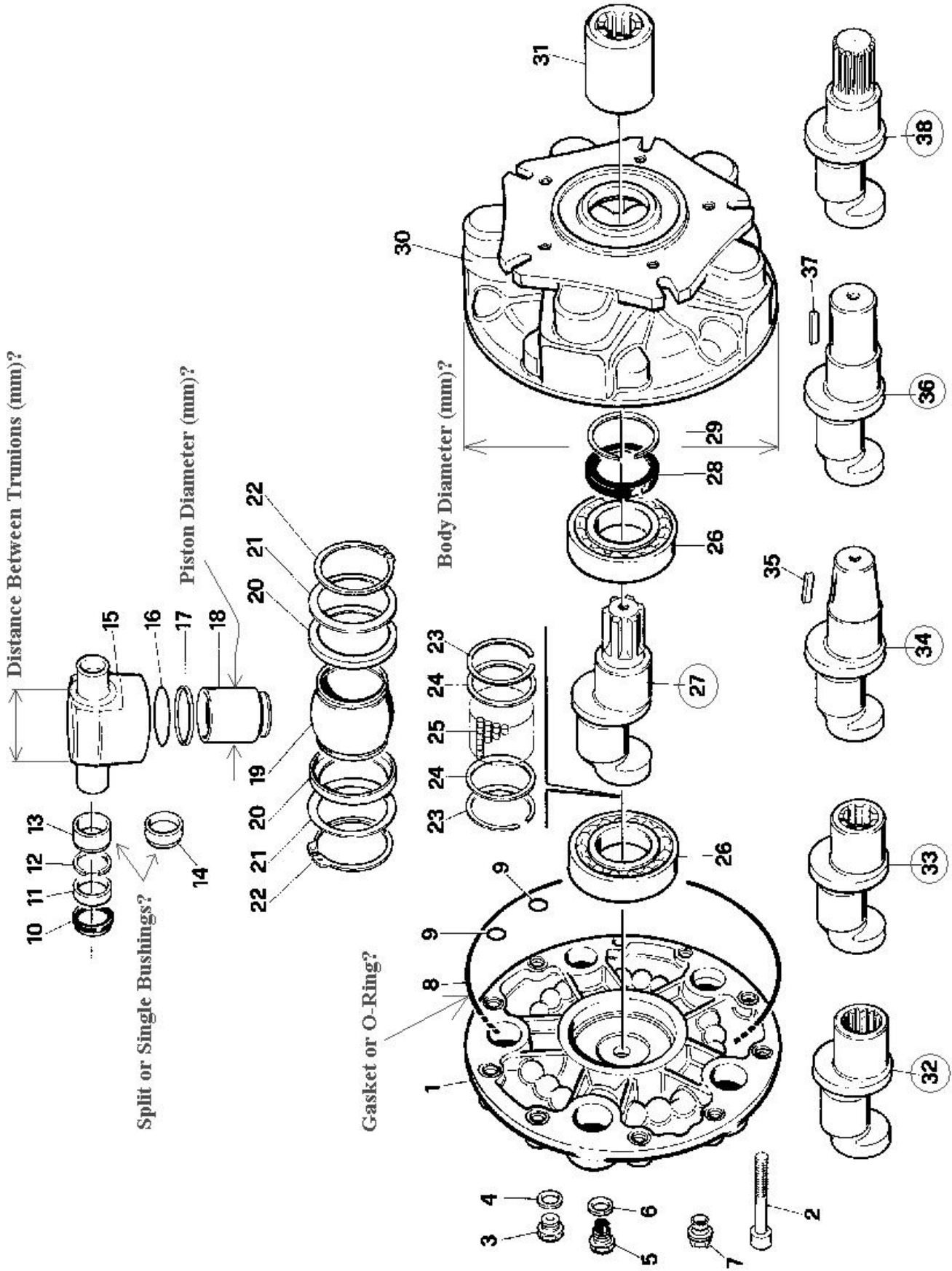
EXAMPLE:

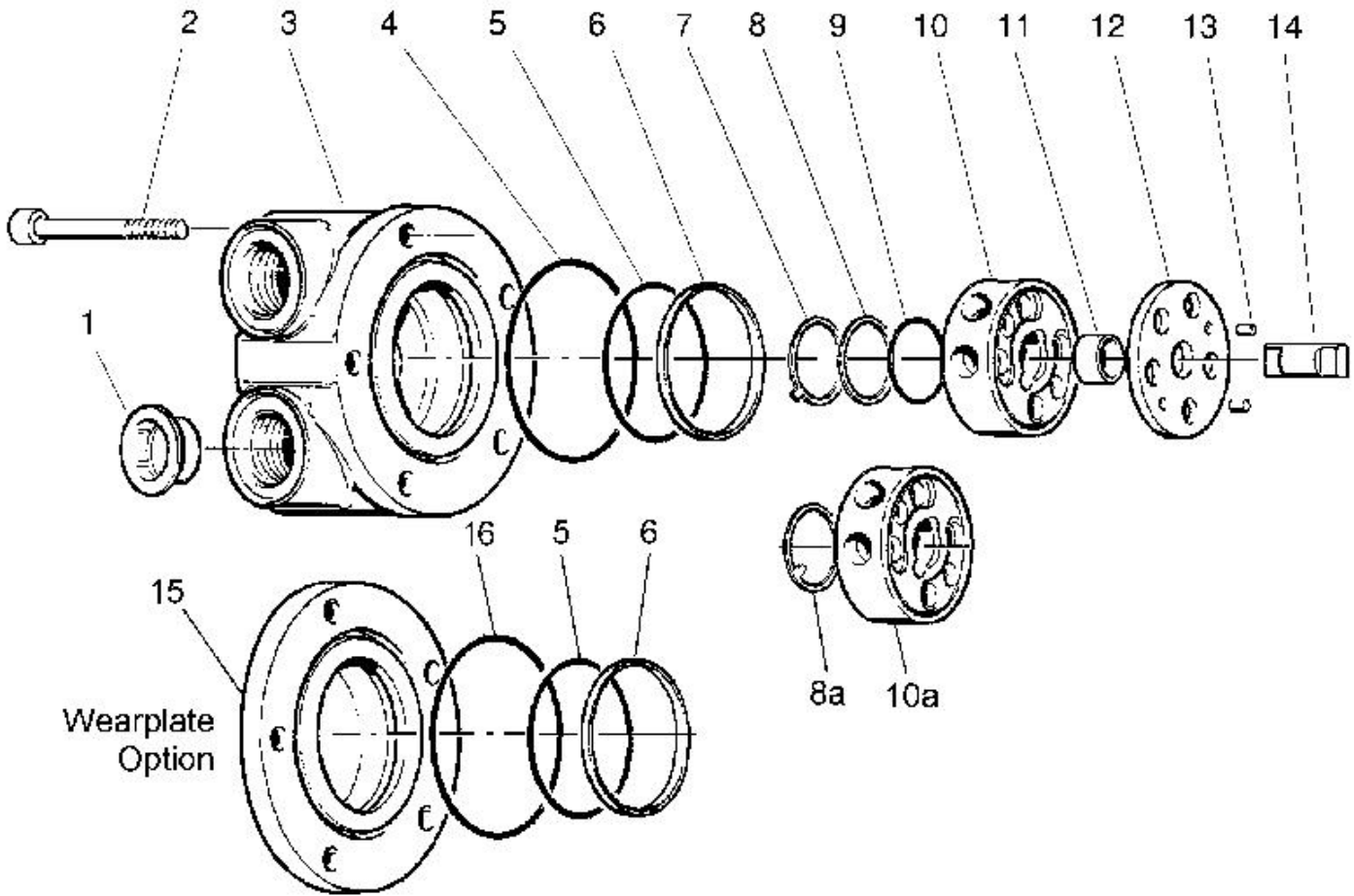
B = 50mm

C = 55mm

A = 72.5mm

STROKE = 40mm





**Distributor Identification:**

Does your distributor have a steel seal (7) or not? If it does not have a steel seal it should have a Teflon seal (8a) with a tab on the inside diameter.

Also, indicate whether your motor has a wear plate (12) or not. The wear plates are either bronze with moly coat or cast with moly coat.